

Specification

Product name: 4100° K CCT 3528 LED strip
Model NO.: YS-RN3528X120



Features

- ◆ Super bright 3528 SMD 120 LEDs/mt, 9.6W/mt, CRI>75
- ◆ Uniform color, even light, nice looking.
- ◆ High efficiency, low light decay, long lifespan.
- ◆ Low input voltage **DC 24V or 12V**, safe to human body.
- ◆ 3M self-adhesive at back is easy for DIY installation.
- ◆ CE & RoHS compliant.
- ◆ Every (12V) 3-LED / (24V) 6-LED cuttable.
- ◆ Warranty: 3 years.

Application:

Indoor illumination and decoration in home, hotel, shopping mall, cinema, museum, bar, showing room, jewelry counter, etc.



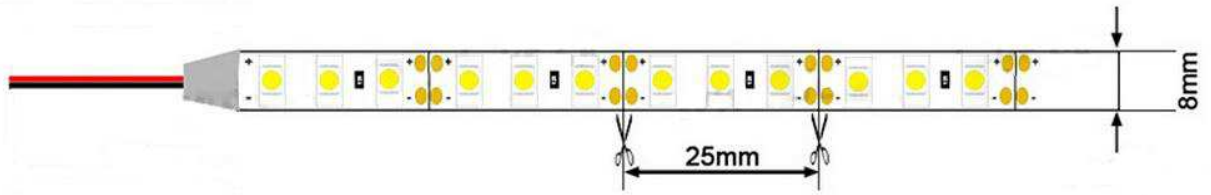
Parameters

Part No.	Emitting Color	CCT/ wavelength	Luminous flux	Input voltage	Power	LED type	LED quantity	IP rate
YS-RN3528NW120	Neutral white	4100K	720~840 Lm	DC 24V/12V	9.6W/m	3528 SMD	120 pcs/m	IP20

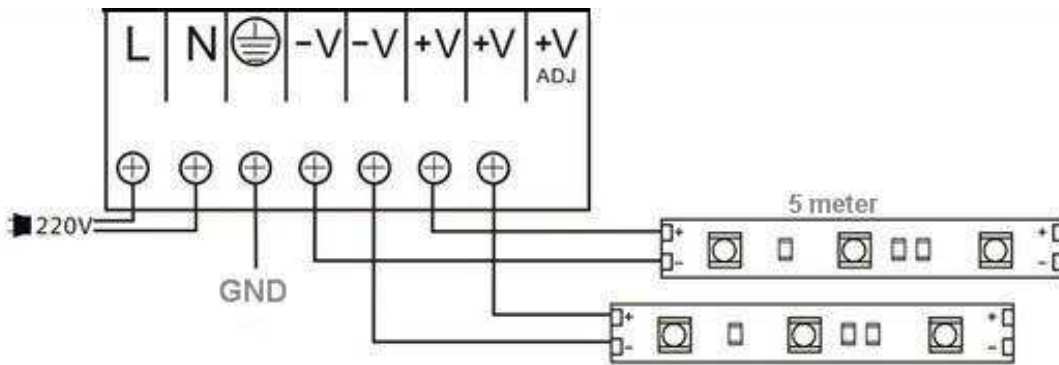
Other parameters

Packaging	Working temperature (°C)	Storage temperature (°C)
5m/reel	-20~ +50	-25~ +60

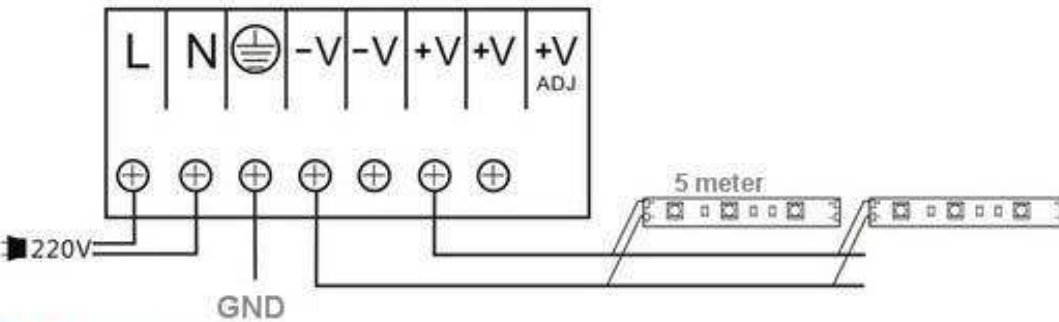
Dimension (mm)



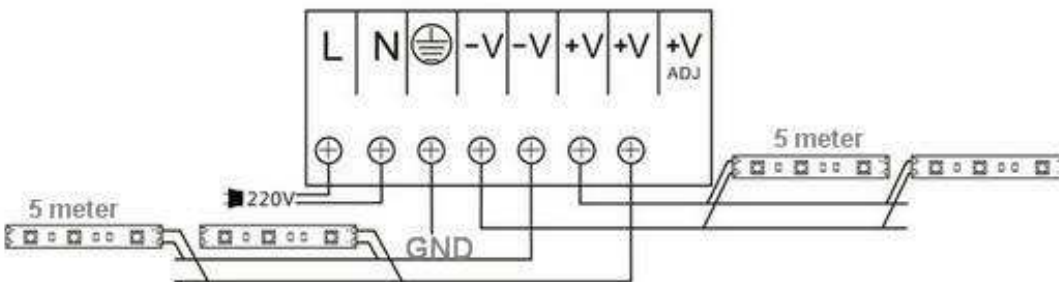
Connection: A, B, C three ways



⬆ A



⬆ B



⬆ C

Packaging:



5m/reel, 300m/carton, carton size: 52*30*22cm, 0.03432CBM, Gross weight 7 KG

Common problem and Solutions

- Please check if power supply is connected, or if the switch is in the connected position when the light does not work.
- If the lamp lights on and off frequently, please check connection between power supply and strip in case that it is loose.

Note: If the lights still does not work well after trying the methods above, please contact professional staff for help

.Attentions

- Please do not connect power supply when the light is still in bag.
 - Pay attention to fire, electricity and shake
 - Please do not connect high voltage before the installation, and make sure that the fixture connects the earth
 - Please do not use rough or cleanser to clean this product, do not use high press water to wash this product that it would be harmful for the waterproof components.
 - Please do not use sharp equipment to stab this product, or it may break the internal components.
 - Please do not pull or press too much on the products.
 - Once the light reaches the lifespan, please contact your local relative authority or retailer to ask for recycle suggestion.
 - Recommended working environment temperature is -20~40°C.
 - Please do not use the light if the fixture or wire has problem, check and repair firstly.
 - The light should be installed by professionals.
- * If there is any change for the product, we will not inform again.
- * If you have any question about the specification, please ask qualified engineers for help.

Notice

If the light becomes broken because of misuse of other accessories which are not from our company, we are not responsible this issue.