

## Specification

**Product name: SMD3528 LED Strip 120led/m**  
**Model NO.: YS-RN3528W120**



### Features

- ◆ Super bright 3528 SMD 120 LEDs/mt, 9.6W/mt, CRI>85
- ◆ Uniform color, even light, nice looking.
- ◆ High efficiency, low light decay, long lifespan.
- ◆ Low input voltage **DC 24V or 12V**, safe to human body.
- ◆ 3M self-adhesive at back is easy for DIY installation.
- ◆ CE & RoHS compliant.
- ◆ Every (12V) 3-LED / (24V) 6-LED cuttable.
- ◆ Warranty: 3 years.

### Application:

Indoor illumination and decoration in home, hotel, shopping mall, cinema, museum, bar, showing room, jewelry counter, etc.



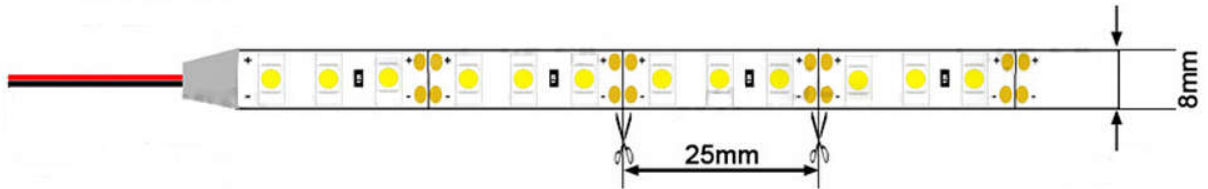
## Parameters

Part No.	Emitting Color	CCT/ wavelength	Luminous flux	Input voltage	Power	LED type	LED quantity	IP rate
YS-RN3528W120	Pure white	5000 ~ 5500K/ 6000~6500K	720~840 Lm	DC 24V/12V	9.6W/m	3528 SMD	120 pcs/m	IP20
YS-RN3528NW120	Neutral white	4000 ~ 4500K	720~840 Lm	DC 24V/12V	9.6W/m	3528 SMD	120 pcs/m	IP20
YS- RN3528WW120	Warm white	3000~3300K	720~840 Lm	DC 24V/12V	9.6W/m	3528 SMD	120 pcs/m	IP20
YS- RN3528CW120	Cold white	10000~12000K	720~840 Lm	DC 24V/12V	9.6W/m	3528 SMD	120 pcs/m	IP20
YS- RN3528R120	Red	620 ~ 625 nm	180~300 Lm	DC 24V/12V	9.6W/m	3528 SMD	120 pcs/m	IP20
YS- RN3528G120	Green	520 ~ 525 nm	420~540 Lm	DC 24V/12V	9.6W/m	3528 SMD	120 pcs/m	IP20
YS- RN3528B120	Blue	460 ~ 465 nm	300 ~ 420 Lm	DC 24V/12V	9.6W/m	3528 SMD	120 pcs/m	IP20
YS- RN3528Y120	Yellow	585 ~ 590 nm	180~300 Lm	DC 24V/12V	9.6W/m	3528 SMD	120 pcs/m	IP20

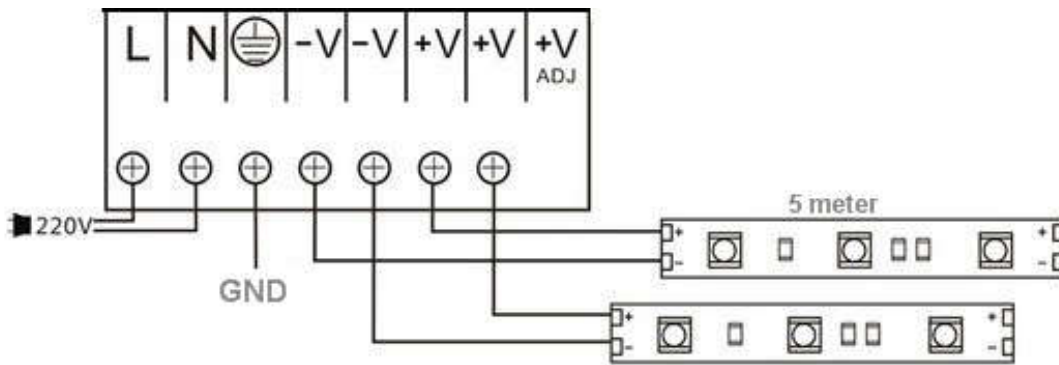
## Other parameters

Packaging	Working temperature (°C)	Storage temperature (°C)
5m/reel	-20~ +50	-25~ +60

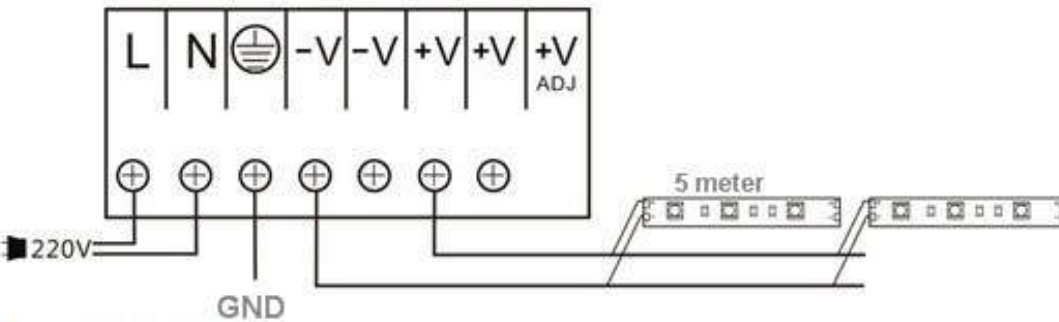
**Dimension (mm)**



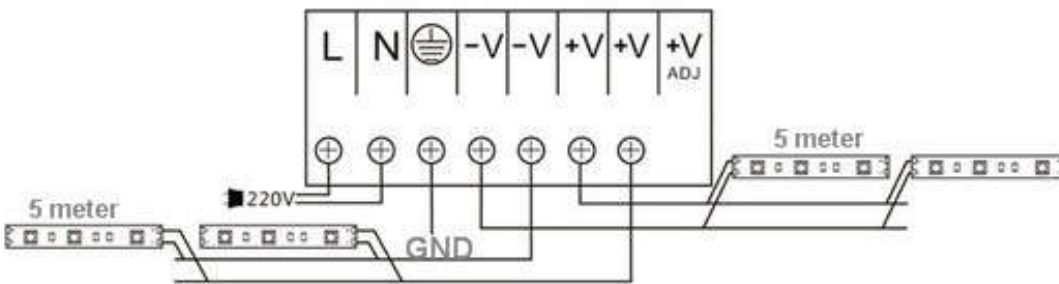
**Connection: A, B, C three ways**



**A**



**B**



**C**

**Packaging:**

5m/reel, 250m/carton, carton size: 52\*30\*22cm, 0.03432CBM, Gross weight 7 KG

**Common problem and Solutions**

- Please check if power supply is connected, or if the switch is in the connected position when the light does not work.
- If the lamp lights on and off frequently, please check connection between power supply and strip in case that it is loose.

Note: If the lights still does not work well after trying the methods above, please contact professional staff for help

**.Attentions**

- Please do not connect power supply when the light is still in bag.
  - Pay attention to fire, electricity and shake
  - Please do not connect high voltage before the installation, and make sure that the fixture connects the earth
  - Please do not use rough or cleanser to clean this product, do not use high press water to wash this product that it would be harmful for the waterproof components.
  - Please do not use sharp equipment to stab this product, or it may break the internal components.
  - Please do not pull or press too much on the products.
  - Once the light reaches the lifespan, please contact your local relative authority or retailer to ask for recycle suggestion.
  - Recommended working environment temperature is -20~40°C.
  - Please do not use the light if the fixture or wire has problem, check and repair firstly.
  - The light should be installed by professionals.
- \* If there is any change for the product, we will not inform again.
- \* If you have any question about the specification, please ask qualified engineers for help.

**Notice**

If the light becomes broken because of misuse of other accessories which are not from our company, we are not responsible this issue.