

Specification

Product name: IP20 2835 LED flexible Strip

Model NO.: YS-RN2835X120-CRI85



VHB 5925 adhesive tape available

Features

- ◆ Super bright 2835 SMD, 120 LEDs/m 14.4W/m, **high CRI>85**
- ◆ Uniform color, even light, nice looking.
- ◆ High efficiency, low light decay, long lifespan.
- ◆ Low input voltage DC 12V or 24V, safe to human body.
- ◆ 3M self-adhesive at back is easy for DIY installation.
- ◆ CE, RoHS and UL.
- ◆ each 25mm cuttable (12V)/ each 50mm cuttable (24V)
- ◆ Warranty: 3 years.

Application:

Indoor illumination and decoration in home, hotel, shopping mall, cinema, museum, bar, showing room, jewelry counter, etc.



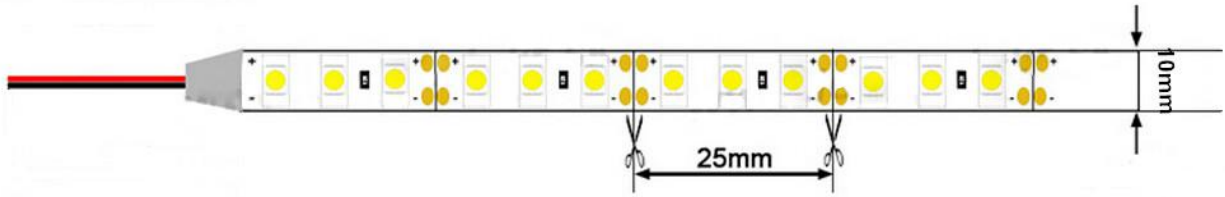
Parameters

Part No.	Emitting Color	CCT/ wavelength	CRI	Luminous flux	Input voltage	Power	LED type	LED quantity	IP rate
YS-RN2835W120	Pure white	6000~6500K	>85	1440 lm	DC 12/ 24V	14.4W/m	2835 SMD	120 pcs/m	IP20
YS-RN2835CW120	Cold white	10000~12000K	>85	1440 lm	DC 12/ 24V	14.4W/m	2835 SMD	120 pcs/m	IP20
YS-RN2835WW120	Warm white	2900~3300K	>85	1440 lm	DC 12/ 24V	14.4W/m	2835 SMD	120 pcs/m	IP20
YS-RN2835NW120	Neutral white	4000~4500K	>85	1440 lm	DC 12/ 24V	14.4W/m	2835 SMD	120 pcs/m	IP20

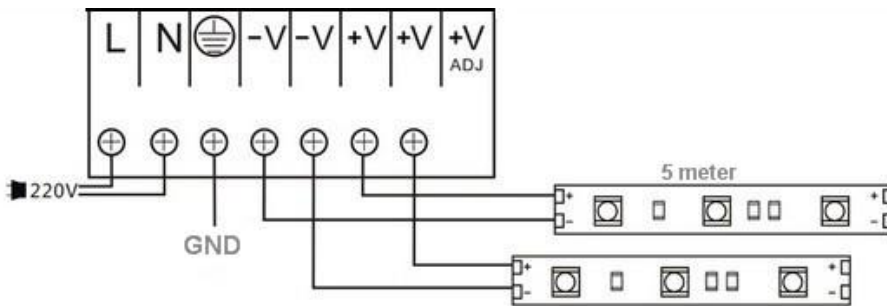
Other parameters

Packaging	Working temperature (°C)	Storage temperature (°C)
5m/reel	-20~ +50	-25~ +60

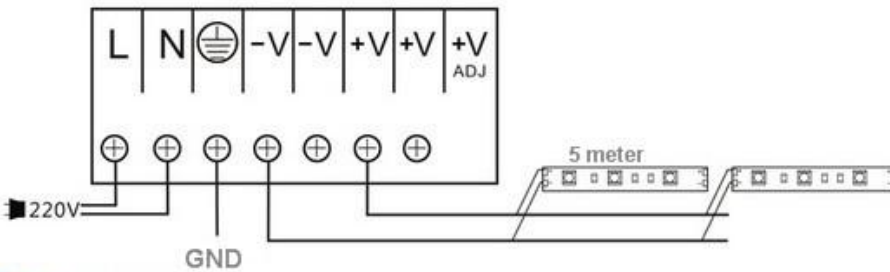
Dimension (mm)



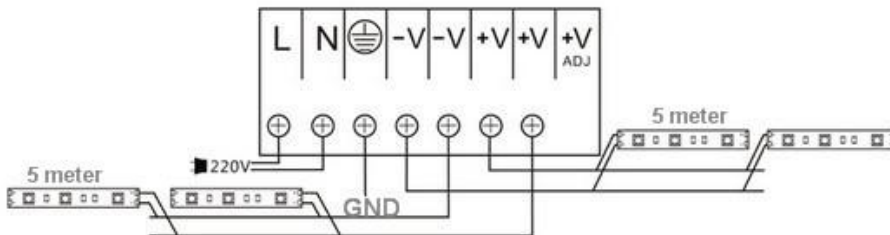
Connection: A, B, C three ways



A



B



C

Packaging:



5m/reel, 300m/carton

Carton size: 52*30*22cm

Gross weight 7.75 KG

Common problem and Solutions

- Please check if power supply is connected, or if the switch is in the connected position when the light does not work.
- If the lamp lights on and off frequently, please check connection between power supply and strip in case that it is loose.

Note: If the lights still does not work well after trying the methods above, please contact professional staff for help

.Attentions

- Please do not connect power supply when the light is still in bag.
 - Pay attention to fire, electricity and shake
 - Please do not connect high voltage before the installation, and make sure that the fixture connects the earth
 - Please do not use rough or cleanser to clean this product, do not use high press water to wash this product that it would be harmful for the waterproof components.
 - Please do not use sharp equipment to stab this product, or it may break the internal components.
 - Please do not pull or press too much on the products.
 - Once the light reaches the lifespan, please contact your local relative authority or retailer to ask for recycle suggestion.
 - Recommended working environment temperature is -20~40°C.
 - Please do not use the light if the fixture or wire has problem, check and repair firstly.
 - The light should be installed by professionals.
- * If there is any change for the product, we will not inform again.
- * If you have any question about the specification, please ask qualified engineers for help.

Notice

If the light becomes broken because of misuse of other accessories which are not from our company, we are not responsible this issue.